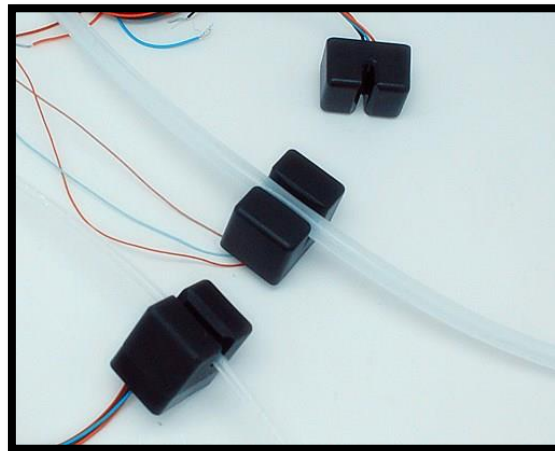


## Ultrasonic Bubble Detector

### 超声波气泡探测器



#### Features 特点

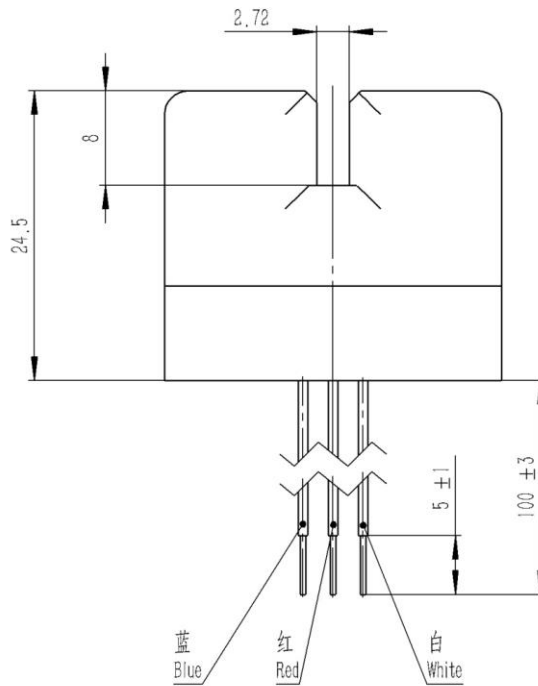
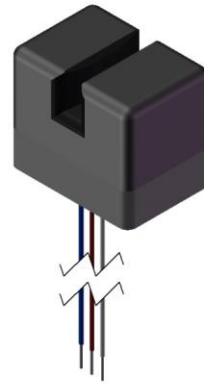
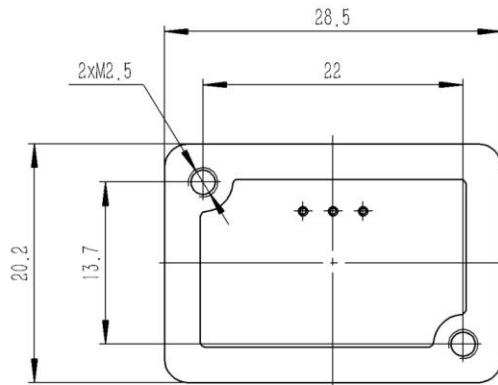
- Impact and integrated design 集成微型驱动电路
- 5V supply/TTL output 5V 供电/TTL 输出
- High sensitivity: min. detected bubble 30% Tube ID 高灵敏度：最小检测气泡为管内径的 30%
- Tube size (recommend): OD 1/8", 3.0mm-3.3mm 推荐输液管大小：外径 3.0-3.3mm, 1/8"
- Tube type: Solid (e.g. PTFE) 输液管类型：硬管 (如：PTFE)

#### Electrical Characteristics 电特性

| Parameter 参数                                      | Symbol 符号 | MIN | TYP | MAX | UNITS 单位 |
|---|-----------|-----|-----|-----|----------|
| Supply Voltage Range<br>供电电压                      | Vcc       | 4.5 | 5.0 | 5.5 | V        |
| Supply Current<br>供电电流                            | Icc       |     | 10  | 30  | mA       |
| Output Low Voltage<br>(Bubble)<br>输出低电平(有气泡)      | VOL       | 0.2 |     | 0.5 | V        |
| Output High Voltage<br>(No Bubble)<br>输出高电平 (无气泡) | VOH       | 2.4 | 4.3 |     | V        |
| Response Time<br>响应时间                             | t         |     | 50  |     | μs       |



BS232



蓝-地  
Blue-GND  
红-供电  
Red-Vcc  
白-输出  
White-Output

B

PART No.

REGISTER

F.O.D No.

O.D No.

SIGNATURE

DATE

MFG

MATERIAL:

ABS Housing

Siansonic Technology Co.,Ltd.

TITLE:

Bubble Detector

DWG NO.

BS232

| SIGN   | S.P  | PARTITION | C. F No.   | SIGNATURE | DATE | DRQWING SIGN | WEIGHT | SCALE |
|--------|------|-----------|------------|-----------|------|--------------|--------|-------|
| DRAWN  | SJ W | Sijin Wu  | 2014/07/23 | Q.A       | DM W |              | 14.79  | 2:1   |
| CHK'D  | C S  |           |            | PUR       | LW H |              |        |       |
| APP'VD | W X  |           |            |           |      | SHEET        | 1      | OF 1  |
| MFG    | C S  |           |            |           |      | A4           | SUB:   |       |

Siansonic Technology Limited reserves the right to alter or improve the specification, internal design or manufacturing process at any time, without notice. Please check with your supplier or visit our web site to ensure that you have the current and complete specification for your product before use.

© Siansonic Technology Co., Ltd 2014 BS232.1

No part of this publication may be copied, transmitted or stored in a retrieval system or reproduced in any way including, but not limited to, photography, photocopy, magnetic or other recording means, without prior written permission from Siansonic Technology Limited. Instructions for use are available from [www.siansonic.com](http://www.siansonic.com)

**Siansonic Technology Ltd. (Dongfang Jinrong)**

No.1, Xingguang 5th Street, Opto-Mechatronics Industrial Base, Tongzhou Park,  
Zhongguan Village Technology Park 101111, Beijing, China

Tel: +86 10 81502288

Fax: +86 10 81502688

E-mail: [info@siansonic.com](mailto:info@siansonic.com)