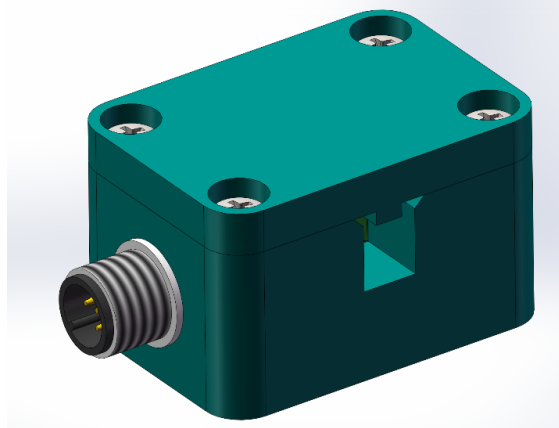


Ultrasonic Fluid Sensor

超声波流体传感器



Features 特点

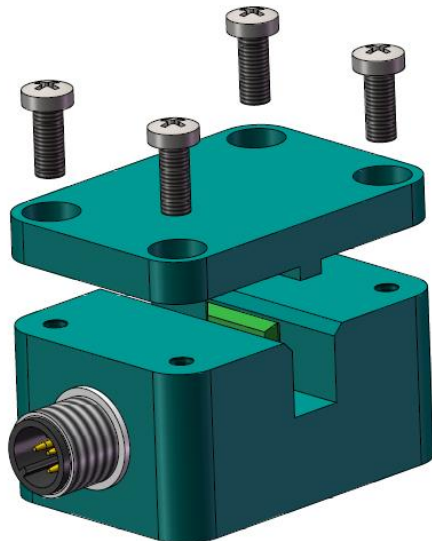
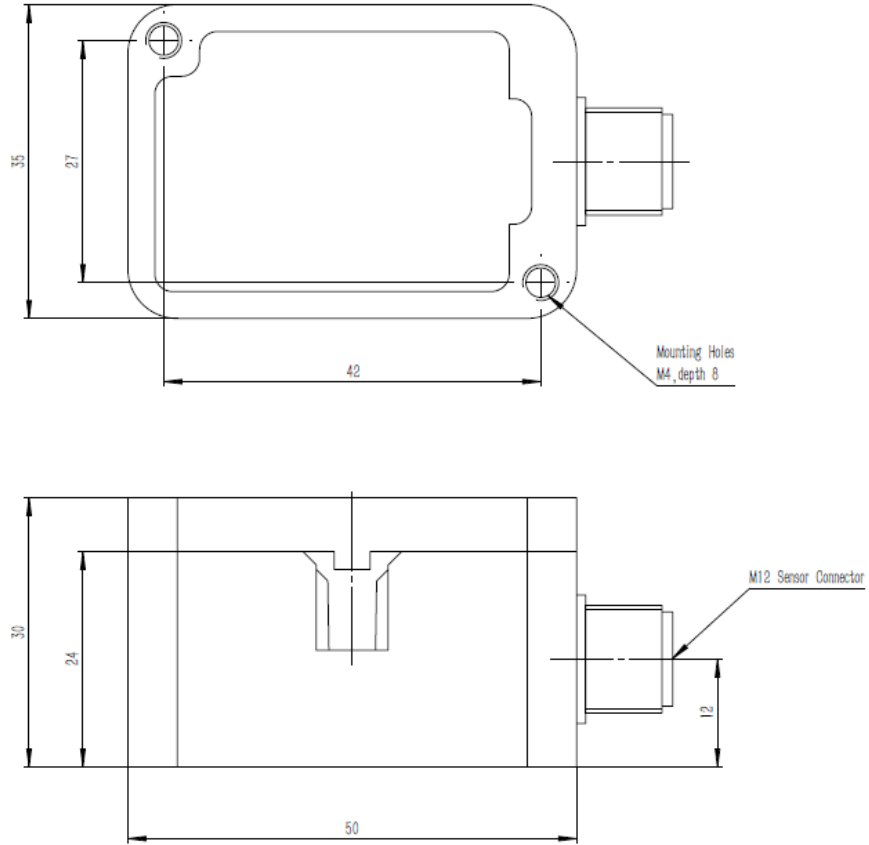
- Impact and integrated design 集成微型驱动电路
- 5V supply, output TTL 供电 5V 输出 TTL,
- High sensitivity: min. detected air bubble 30% Tube ID 高灵敏度：最小检测气泡为管内径的 30%
- Tube size (recommend): OD 3.0-8.0mm 推荐输液管大小：外径 3.0-8.0mm
- Tube Type : Soft or Rigid 输液管类型：软或硬可选

Electrical Characteristics 电特性

Parameter 参数	Symbol 符号	MIN	TYP	MAX	UNITS 单位
Supply Voltage Range 供电电压	Vcc	4.5	5.0	5.5	V
Supply Current 供电电流	Icc		10	30	mA
Output Low Voltage (No Liquid) 输出低电平(无液体)	VOL	0.2		0.5	V
Output High Voltage (Liquid) 输出高电平 (有液体)	VOH	2.4	4.3		V
Response Time 响应时间	t			500	μs
Ultrasonic Frequency 超声波频率	f		2.0		MHz

Dimension 规格 (unit: mm)

BS261



Siansonic Technology Limited reserves the right to alter or improve the specification, internal design or manufacturing process at any time, without notice. Please check with your supplier or visit our web site to ensure that you have the current and complete specification for your product before use.

© Siansonic Technology Co., Ltd 2014 BS261.1

No part of this publication may be copied, transmitted or stored in a retrieval system or reproduced in any way including, but not limited to, photography, photocopy, magnetic or other recording means, without prior written permission from Siansonic Technology Limited. Instructions for use are available from www.siansonic.com

Siansonic Technology Ltd. (Dongfang Jinrong)

No.1, Xingguang 5th Street, Opto-Mechatronics Industrial Base, Tongzhou Park,
Zhongguan Village Technology Park 101111, Beijing, China

Tel: +86 10 81502288

Fax: +86 10 81502688

E-mail: info@siansonic.com