

## Megasonic Cleaning Nozzle



### Features

- Ultra-high frequency : 700kHz-3.0MHz
- High precision cleaning : particles 0.2um
- LCD Display : Monitor of ultrasonic power
- Automatically scan the megasonic nozzle
- No water protection : ultrasonic fluid detector for no water protection (optional)
- Anticorrosive nozzle: anticorrosive nozzle is optional.

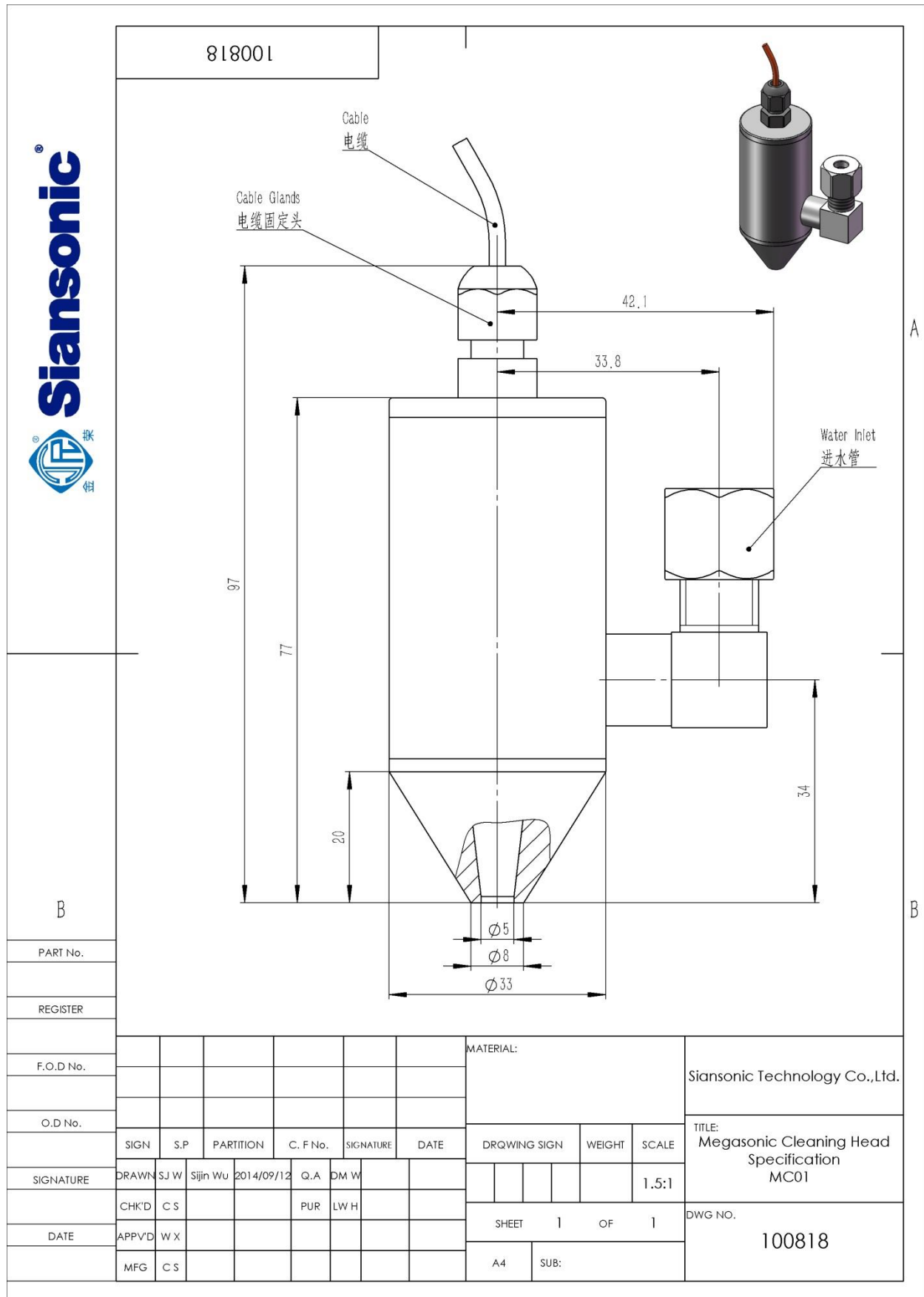
### Typical Applications

- Cleaning for hard disc, wafer, lens, etc.

### Specifications

Model No.	MC01-1
Power	30W
Ultrasonic Frequency	1MHz
Power Input	AC85-264V 50/60Hz
Liquid Temperature	20-50°C
Liquid Flow Rate	>0.9L/min
Liquid Tube Size	OD 6mm
Signal Cable Length	4.0m

Specifications	
Model No.	MC01-2
Power	23W
Ultrasonic Frequency	2MHz
Power Input	AC85-264V 50/60Hz
Liquid Temperature	20-50°C
Liquid Flow Rate	>0.9L/min
Liquid Tube Size	OD 6mm
Signal Cable Length	4.0m
Specifications	
Model No.	MC01-3
Power	10W
Ultrasonic Frequency	3MHz
Power Input	AC85-264V 50/60Hz
Liquid Temperature	20-50°C
Liquid Flow Rate	>0.9L/min
Liquid Tube Size	OD 6mm
Signal Cable Length	4.0m
Specifications	
Model No.	MC01-08
Power	40W
Ultrasonic Frequency	800kHz
Power Input	AC85-264V 50/60Hz
Liquid Temperature	20-50°C
Liquid Flow Rate	>0.9L/min
Liquid Tube Size	OD 6mm
Signal Cable Length	4.0m
Specifications	
Model No.	MC01-07
Power	50W
Ultrasonic Frequency	700kHz
Power Input	AC85-264V 50/60Hz
Liquid Temperature	20-50°C
Liquid Flow Rate	>0.9L/min
Liquid Tube Size	OD 6mm
Signal Cable Length	4.0m



PART No.											MATERIAL:			Siansonic Technology Co.,Ltd.		
REGISTER											DRQWING SIGN			TITLE: Megasonic Cleaning Head Specification MC01		
F.O.D No.											WEIGHT			SCALE		
O.D No.											SHEET 1 OF 1			DWG NO. 100818		
SIGNATURE	SIGN	S.P	PARTITION	C. F No.	SIGNATURE		DATE		DRAWN SJ W			Scales				
					Q.A	DM W										
	CHK'D	C S			PUR	LW H										
DATE	APPVD	W X														
	MFG	C S							A4	SUB:						

Siansonic Technology Limited reserves the right to alter or improve the specification, internal design or manufacturing process at any time, without notice. Please check with your supplier or visit our web site to ensure that you have the current and complete specification for your product before use.

© Siansonic Technology Co., Ltd 2014 MC.1

No part of this publication may be copied, transmitted or stored in a retrieval system or reproduced in any way including, but not limited to, photography, photocopy, magnetic or other recording means, without prior written permission from Siansonic Technology Limited. Instructions for use are available from [www.siansonic.com](http://www.siansonic.com)

**Siansonic Technology Ltd. (Dongfang Jinrong)**

No.1, Xingguang 5th Street, Opto-Mechatronics Industrial Base, Tongzhou Park,  
Zhongguan Village Technology Park 101111, Beijing, China

Tel: +86 10 81502288

Fax: +86 10 81502688

E-mail: [info@siansonic.com](mailto:info@siansonic.com)